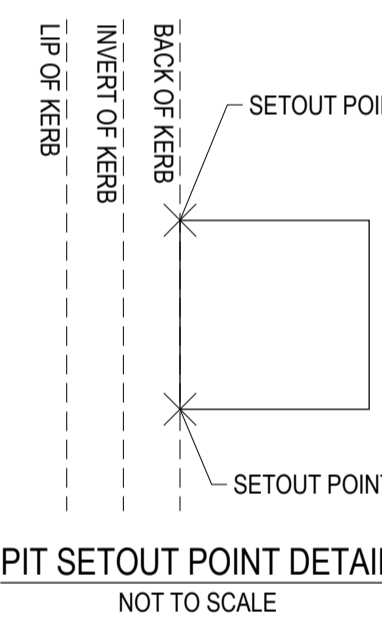
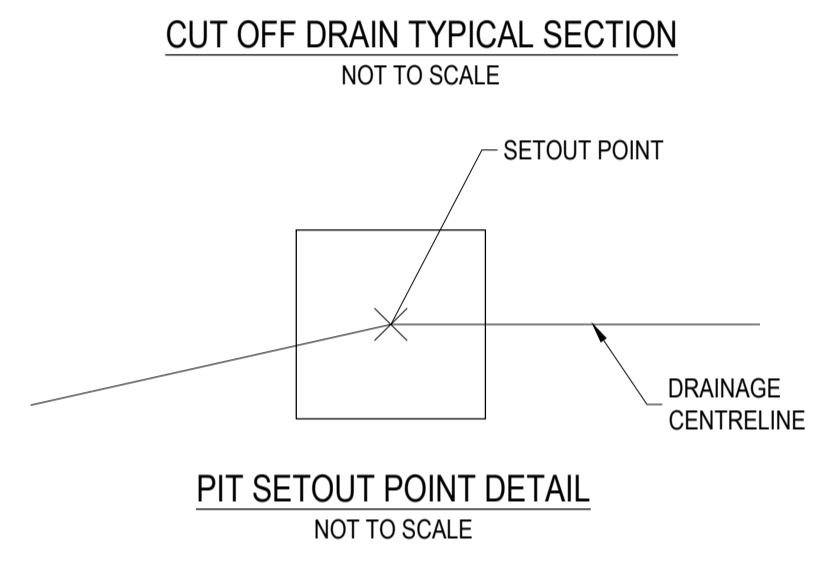
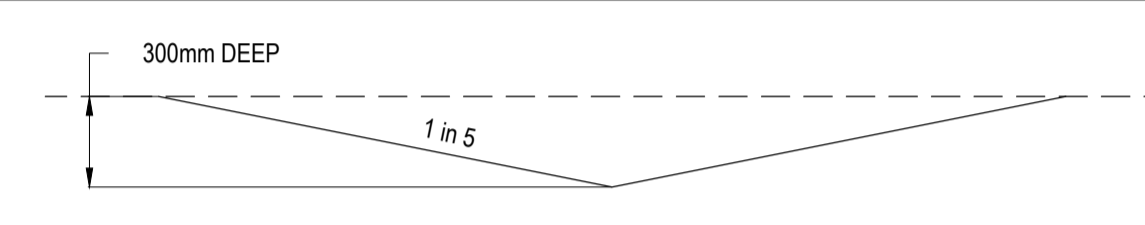
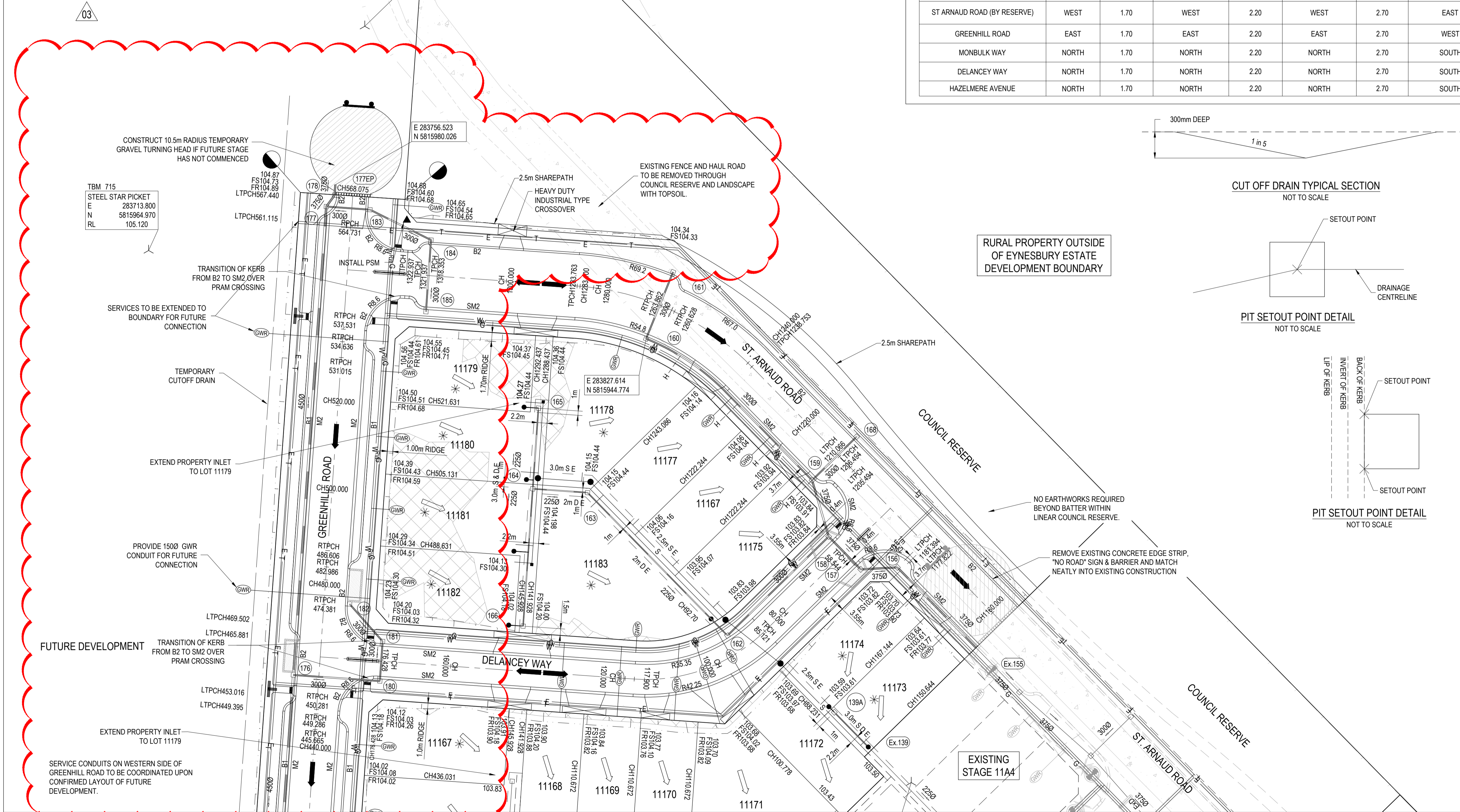


NOTE:
THIS DRAWING HAS BEEN CONVERTED FROM SMEC DESIGN DRAWINGS TO ARCADIS CONSTRUCTION DRAWINGS AT THE REQUEST OF MELTON CITY COUNCIL. THE ORIGINAL PRESENTATION HAS NOT BEEN ALTERED IN ORDER TO MAINTAIN CONSISTENCY THROUGHOUT THE ENTIRE DRAWING PACKAGE.

ROAD NAME	ROAD CLASSIFICATION	RESERVE WIDTH (m)	ROAD WIDTH (m)			KERB TYPE		VERGE WIDTH (m)	
			LIP to LIP	INV to INV	BACK to BACK	NTH/WEST	STH/EAST	NTH/WEST	STH/EAST
ST ARNAUD ROAD (LOTS 11169-11168)	CS1	24.00	10.00	10.60	11.05	B2	SM2	6.40	6.40
ST ARNAUD ROAD (BY RESERVE)	CS1	19.50	10.00	10.60	11.05	SM2	B2	6.40	2.05
GREENHILL ROAD	CS1	24.00	9.80	10.40	11.00	B2/M2	B2/M2	6.65	6.65
HAZELMERE AVENUE, DELANCEY WAY & MONBULK WAY	AS2	17.60	6.90	7.50	8.10	SM2	SM2	4.75	4.75

ROAD NAME	SIDE	GAS		RECYCLED WATER		WATER		ELECTRICITY		TELSTRA	
		OFFSET (m)	DEPTH (m)	OFFSET (m)	DEPTH (m)	OFFSET (m)	DEPTH (m)	OFFSET (m)	DEPTH (m)	OFFSET (m)	DEPTH (m)
ST ARNAUD ROAD (LOTS 11169-11168)	SOUTH	1.70		SOUTH	2.20	SOUTH	2.70	NORTH	2.30	NORTH	1.80
ST ARNAUD ROAD (BY RESERVE)	WEST	1.70		WEST	2.20	WEST	2.70	EAST	0.90	EAST	0.40
GREENHILL ROAD	EAST	1.70		EAST	2.20	EAST	2.70	WEST	2.30	WEST	1.80
MONBULK WAY	NORTH	1.70		NORTH	2.20	NORTH	2.70	SOUTH	2.30	SOUTH	1.80
DELANCEY WAY	NORTH	1.70		NORTH	2.20	NORTH	2.70	SOUTH	2.30	SOUTH	1.80
HAZELMERE AVENUE	NORTH	1.70		NORTH	2.20	NORTH	2.70	SOUTH	2.30	SOUTH	1.80

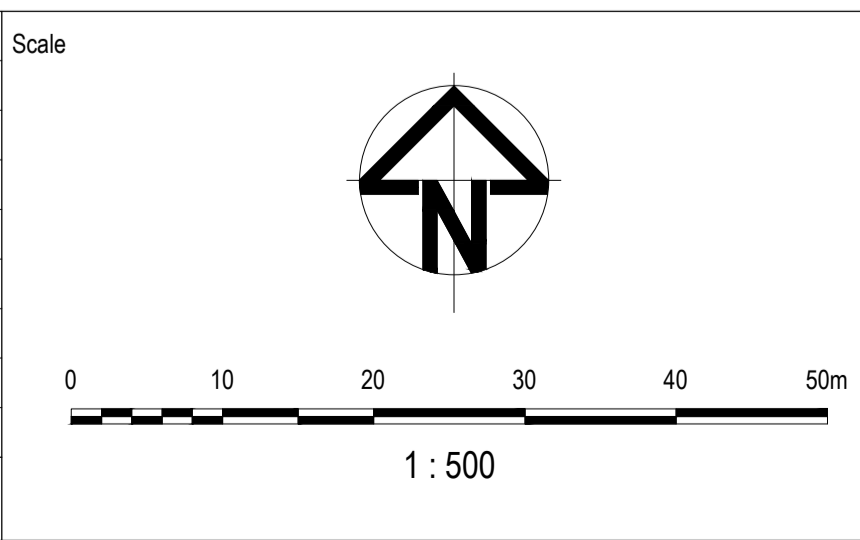


- LEGEND - LAYOUT PLAN**
- STORMWATER DRAIN, PIT & PROPERTY INLET
 - SWALE DRAIN
 - SEWER & MAINTENANCE STRUCTURES
 - HOUSE DRAIN
 - SERVICE CONDUITS
 - TACTILE PAVERS
 - EXISTING ELECTRICITY (UNDERGROUND)
 - EXISTING ELECTRICITY (OVERHEAD)
 - EXISTING GAS
 - EXISTING TELSTRA
 - EXISTING WATER
 - EXISTING RECYCLED WATER
 - EXISTING STORMWATER DRAIN
 - EXISTING SEWER
 - EXISTING HOUSE DRAIN
 - EXISTING SWALE DRAIN
 - EXISTING SURFACE LEVEL
 - FINISHED BUILDING LINE LEVEL
 - FINISHED RIDGE LINE LEVEL
 - TOP OF RETAINING WALL
 - BOTTOM OF RETAINING WALL
 - RETAINING WALL
 - ZERO LOT LINES
 - PAVEMENT TREATMENT
 - STRUCTURAL FILL > 200mm DEEP
 - EX. STRUCTURAL FILL > 200mm DEEP
 - DIRECTION OF FALL
 - OVERLAND FLOW
 - ALLOTMENT TO BE GRADED EVENLY IN DIRECTION OF FALL TO LEVELS INDICATED
 - CONCRETE EDGE STRIP WITH SUBSOIL DRAIN, "NO ROAD" SIGN & BARRIER
 - LIMIT OF WORKS
 - EXISTING TREE TO BE REMOVED
 - PERMANENT SURVEY MARK
 - TEMPORARY BENCH MARK
 - PROPOSED DRIVEWAY

WARNING
BEWARE OF UNDERGROUND SERVICES
The locations of underground services are approximate only and their exact position should be proven on site. No guarantee is given that all existing services are shown. Locate all underground services before commencement of works.
DIAL 1100 BEFORE YOU DIG
www.1100.com.au

REFER SHEET 3 FOR CONTINUATION

Issue	Description	By	Ckd	PM	Date
03	SHARED PATH & GREENHILL ROAD SERVICES LAYOUT REVISED	SH	ZS	JM	06.06.19
02	TACTILE LAYOUT UPDATED	HM	ZS	JM	08.03.19
01	ISSUED FOR CONSTRUCTION	RT	ZS	JM	08.02.19



Scale: 1:500
Surveyor: [Blank]
Architect: [Blank]
Client: Eynesbury Township
Filename: 0520E-11A6-02.dwg

Status: **FOR CONSTRUCTION ISSUED FOR CONSTRUCTION**

Approved: [Blank]

Scales: 1:500

Original Issue Signatures: [Blank]

Original Size: **A1**

Height Datum: AHD

Grid: MGA

Drawn: R.TAI
Designed: Z.STROGUSZ
Project Manager: J.MUNRO

Copyright reserved

Project: **EYNEBURY TOWNSHIP STAGE 11A6 CITY OF MELTON ROADWORKS AND DRAINAGE**

Title: **LAYOUT PLAN - 1**

ARCADIS
Arcadis Australia Pacific Pty Limited
Level 32, 140 William Street
Melbourne VIC 3000
ABN 76 104 485 289
Tel No: +61 3 8623 4000
www.arcadis.com

Drawing No. **02** Project No. **0520E-11A6** Issue **03**