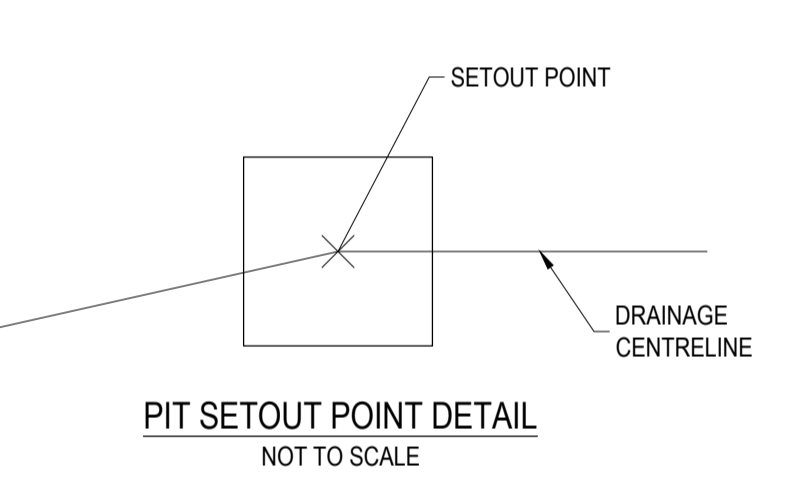
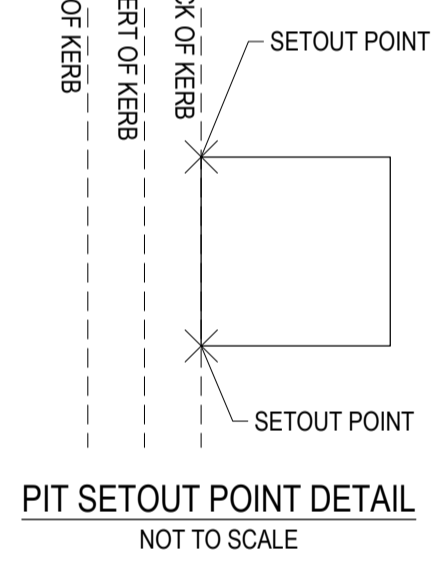
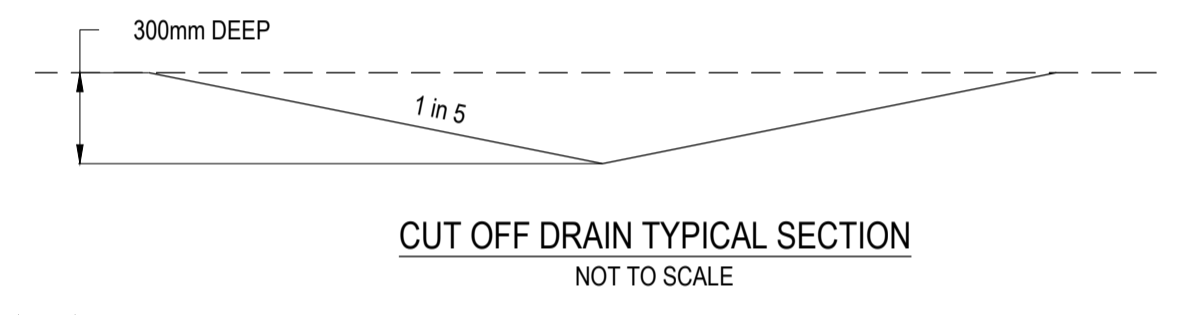
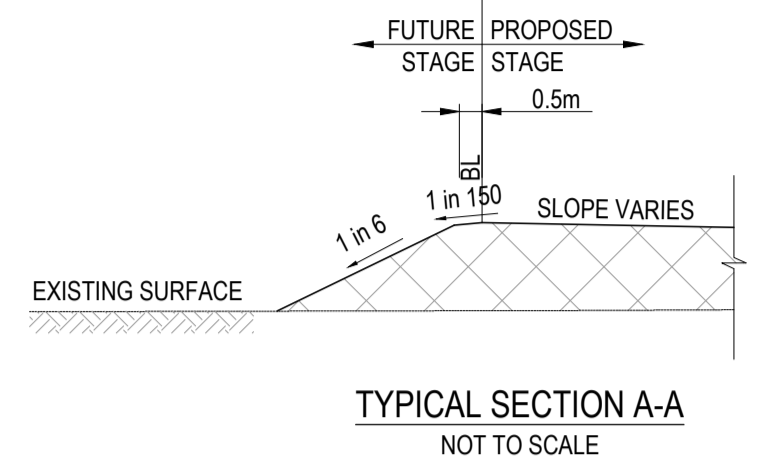


WARNING
BEWARE OF UNDERGROUND SERVICES
 The locations of underground services are approximate only and their exact position should be proven on site.
 No guarantee is given that all existing services are shown.
 Locate all underground services before commencement of works
DIAL 1100 BEFORE YOU DIG
 www.1100.com.au

- LEGEND - LAYOUT PLAN**
- SWALE DRAIN
 - S WALE DRAIN
 - S SEWER & MAINTENANCE STRUCTURES
 - H HOUSE DRAIN
 - GW SERVICE CONDUITS
 - TACTILE PAVERS
 - Ex E EXISTING ELECTRICITY (UNDERGROUND)
 - Ex E EXISTING ELECTRICITY (OVERHEAD)
 - Ex G EXISTING GAS
 - Ex T EXISTING TELSTRA
 - Ex W EXISTING WATER
 - Ex RW EXISTING RECYCLED WATER
 - Ex D EXISTING STORMWATER DRAIN
 - Ex S EXISTING SEWER
 - H EXISTING HOUSE DRAIN
 - EXISTING SWALE DRAIN
 - EXISTING SURFACE LEVEL
 - FS140.25 FINISHED BUILDING LINE LEVEL
 - FR157.40 FINISHED RIDGE LINE LEVEL
 - TW159.30 TOP OF RETAINING WALL
 - BW159.30 BOTTOM OF RETAINING WALL
 - RETAINING WALL
 - ZERO LOT LINES
 - PAVEMENT TREATMENT
 - STRUCTURAL FILL > 200mm DEEP
 - EX. STRUCTURAL FILL > 200mm DEEP
 - DIRECTION OF FALL
 - OVERLAND FLOW
 - ALLOTMENT TO BE GRADED EVENLY IN DIRECTION OF FALL TO LEVELS INDICATED
 - CONCRETE EDGE STRIP WITH SUBSOIL DRAIN, "NO ROAD" SIGN & BARRIER
 - LIMIT OF WORKS
 - EXISTING TREE TO BE REMOVED
 - PERMANENT SURVEY MARK
 - TEMPORARY BENCH MARK
 - PROPOSED DRIVEWAY

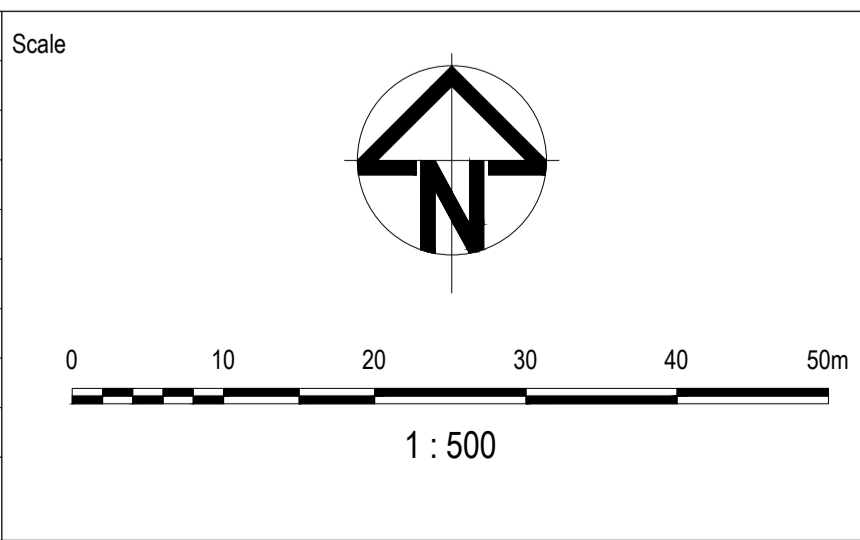


NOTE:
 THIS DRAWING HAS BEEN CONVERTED FROM SMEC DESIGN DRAWINGS TO ARCADIS CONSTRUCTION DRAWINGS AT THE REQUEST OF MELTON CITY COUNCIL.
 THE ORIGINAL PRESENTATION HAS NOT BEEN ALTERED IN ORDER TO MAINTAIN CONSISTENCY THROUGHOUT THE ENTIRE DRAWING PACKAGE.

ROAD NAME	ROAD CLASSIFICATION	RESERVE WIDTH (m)	ROAD WIDTH (m)			KERB TYPE		VERGE WIDTH (m)	
			LIP to LIP	INV to INV	BACK to BACK	NTH/WEST	STH/EAST	NTH/WEST	STH/EAST
ST ARNAUD ROAD (BY RESERVE)	CS1	19.50	10.00	10.60	11.05	SM2	B2	6.40	2.05
HAZELMERE AVENUE & MONBULK WAY	AS2	17.60	6.90	7.50	8.10	SM2	SM2	4.75	4.75

ROAD NAME	GAS		RECYCLED WATER		WATER		ELECTRICITY		TELSTRA	
	SIDE	OFFSET (m)	SIDE	OFFSET (m)	SIDE	OFFSET (m)	SIDE	OFFSET (m)	SIDE	OFFSET (m)
ST ARNAUD ROAD (BY RESERVE)	WEST	1.70	WEST	2.20	WEST	2.70	EAST	0.90	EAST	0.40
MONBULK WAY	NORTH	1.70	NORTH	2.20	NORTH	2.70	SOUTH	2.30	SOUTH	1.80
HAZELMERE AVENUE	NORTH	1.70	NORTH	2.20	NORTH	2.70	SOUTH	2.30	SOUTH	1.80

Issue	Description	By	Ckd	PM	Date
01	ISSUED FOR CONSTRUCTION	RT	ZS	JM	08.02.19



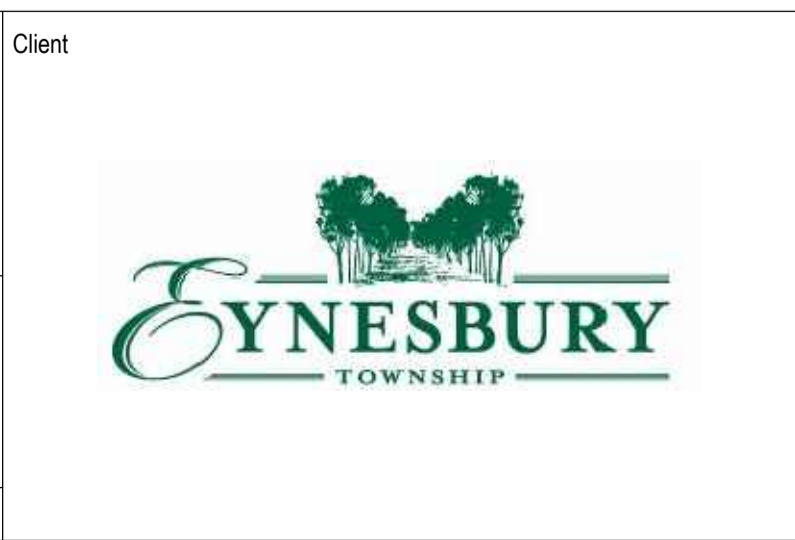
Scale: 1:500

Surveyor: _____

Client: _____

Architect: _____

Filename: 0520E-11A4-02.dwg



Status: **FOR CONSTRUCTION**
 ISSUED FOR CONSTRUCTION

Approved: _____

Scales: 1:500

Original Issue Signatures:
 Drawn: R.TAI
 Designed: Z.STROGUSZ
 Project Manager: J.MUNRO

Original Size: A1
 Height: AHD
 Datum: _____
 Grid: MGA

© Copyright reserved

Project: **EYNESBURY TOWNSHIP**
STAGE 11A4
CITY OF MELTON
ROADWORKS AND DRAINAGE

Title: **LAYOUT PLAN**

Arcadis Australia Pacific Pty Limited
 Level 32, 140 William Street
 Melbourne VIC 3000
 ABN 76 104 485 289
 Tel No: +61 3 8623 4000
 www.arcadis.com

Drawing No. **02** Project No. **0520E-11A4** Issue **01**